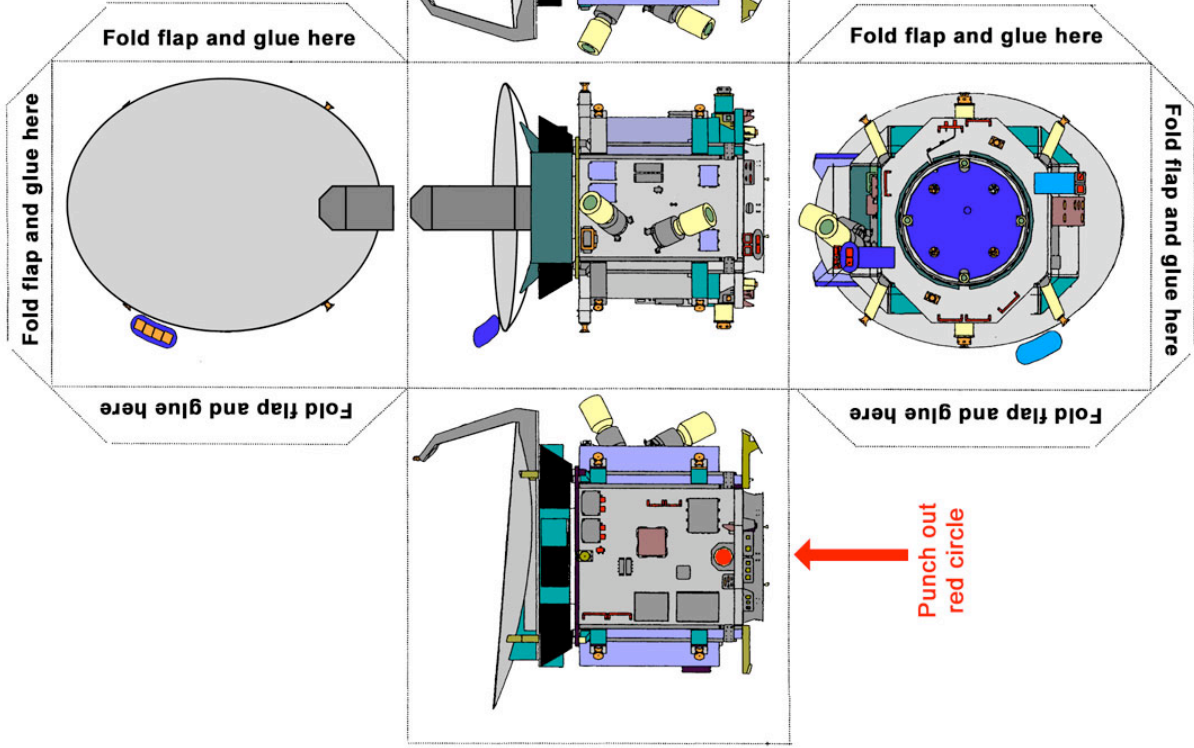




# CloudSat Model

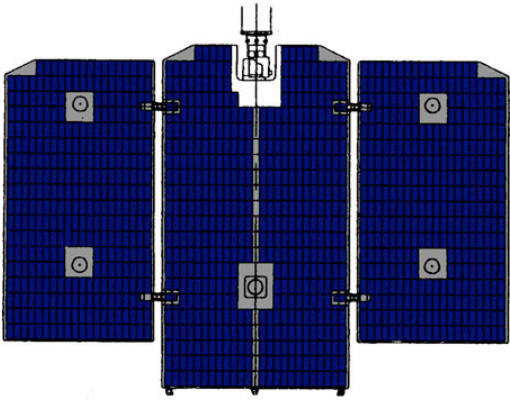
B = Battery

C = Cloud Profiling Radar (CPR) Instrument

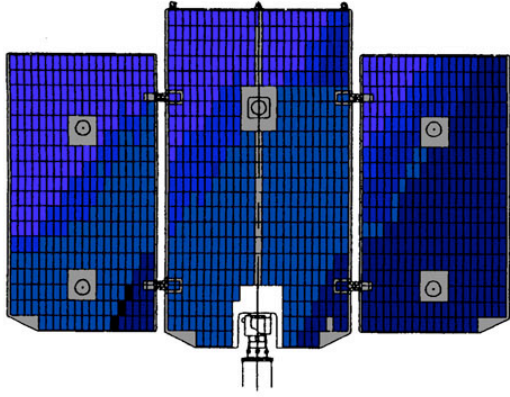


## Directions:

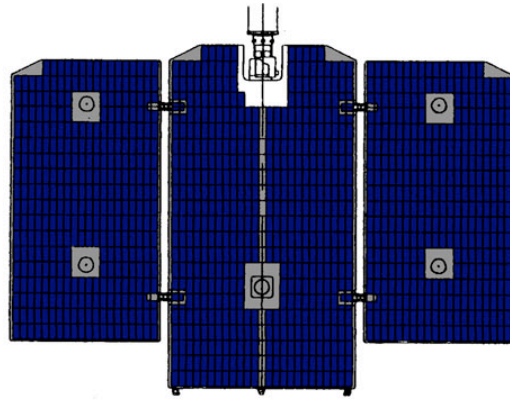
1. Glue the model onto card stock.
2. Cut out the model
3. Punch or cut out holes at the solar array axes (indicated by the red arrows/dots)
4. Fold the model up into a box along the dotted lines, and glue it to the flaps
5. Cut out the solar arrays.
6. Insert a straw (or something like it) through the holes at the drive axes.
7. Tape or glue the solar arrays to the straw.



Right Side  
(Glue Back to Back  
around the Straw)



## Solar Arrays



Left Side  
(Glue Back to Back  
around the Straw)

